

For reference only. See data sheet for the detailed specifications.

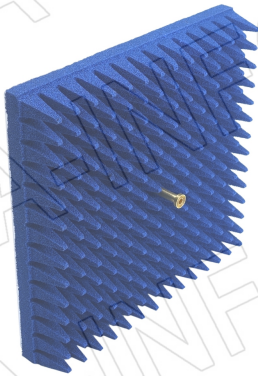
Technical Specification

LB-ACH-22-10-C-2.4F



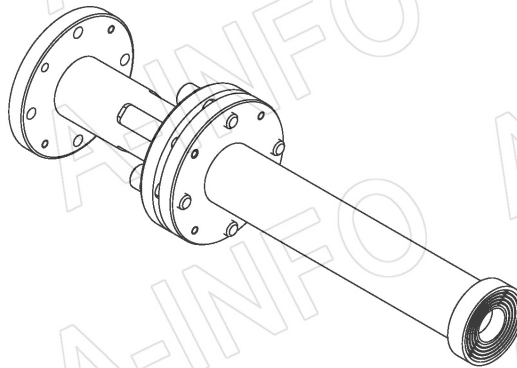
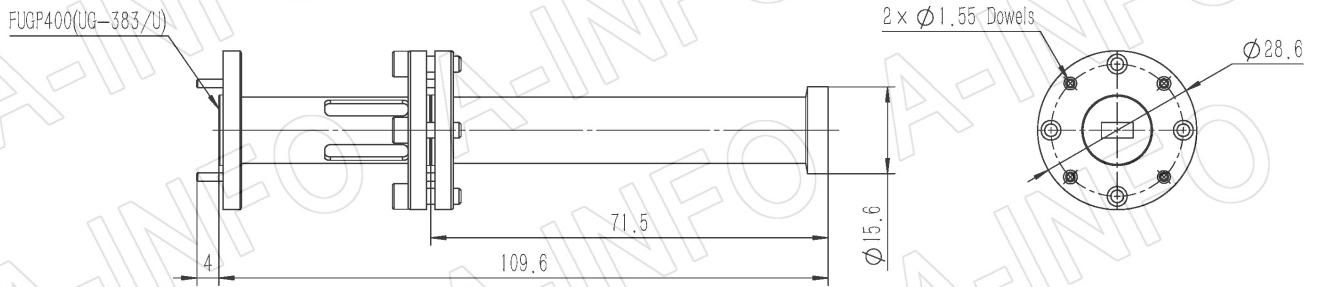
Frequency Range(GHz)	33.0 – 50.0	
Waveguide	WR22	
Gain(dBi)	10 Typ.	
Polarization	Linear	
3dB Beamwidth(deg)	E Plane:	58 Typ.
	H Plane:	60 Typ.
10dB Beamwidth(deg)	E Plane:	104 Typ.
	H Plane:	108 Typ.
Cross Pol. Isolation(dB)	30 Typ.	
VSWR	A Type:	1.20:1 Typ.
	C Type:	1.40:1 Typ.
Output	A Type:	FUGP400(UG-383/U)
	C Type:	2.4mm-Female
Material	Cu	
Finish	Gold Plated	
Size(mm)	A Type:	28.6 x 28.6 x 109.6
	C Type:	28.6 x 31.4 x 133.6
	A-A1:	259 x 259 x 109.6
	C-2.4F-A1:	259 x 259 x 133.6
Net Weight(Kg)	A Type:	0.07 Around
	C Type:	0.12 Around
	A-A1:	1.22 Around
	C-2.4F-A1:	1.25 Around

LB-ACH-22-10-C-2.4F-A1

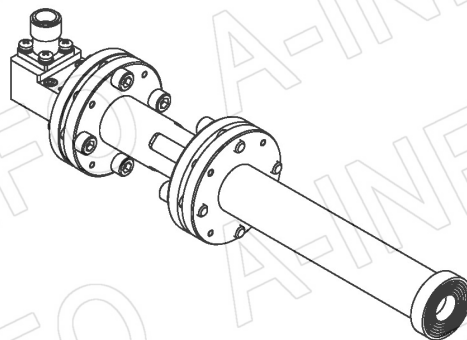
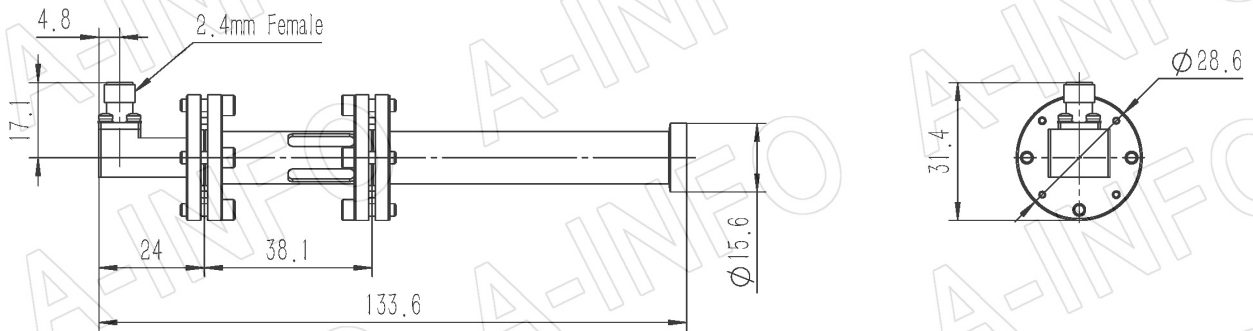


Outline Drawing (Size: mm)

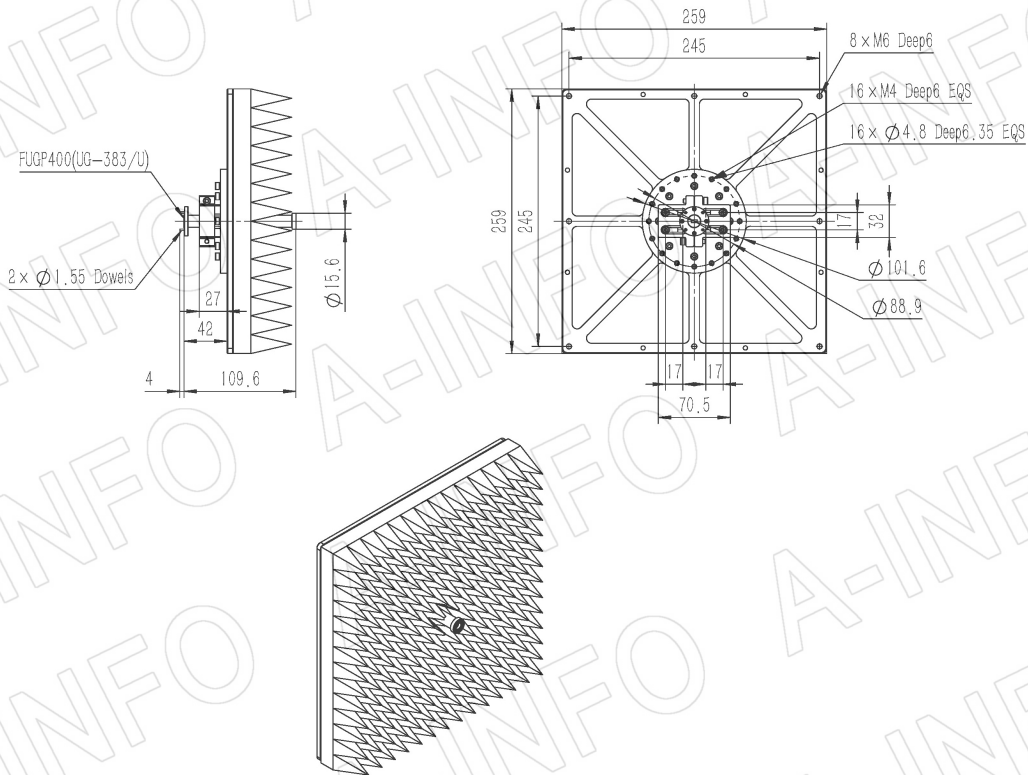
FUGP400 Output (P/N: LB-ACH-22-10-A)



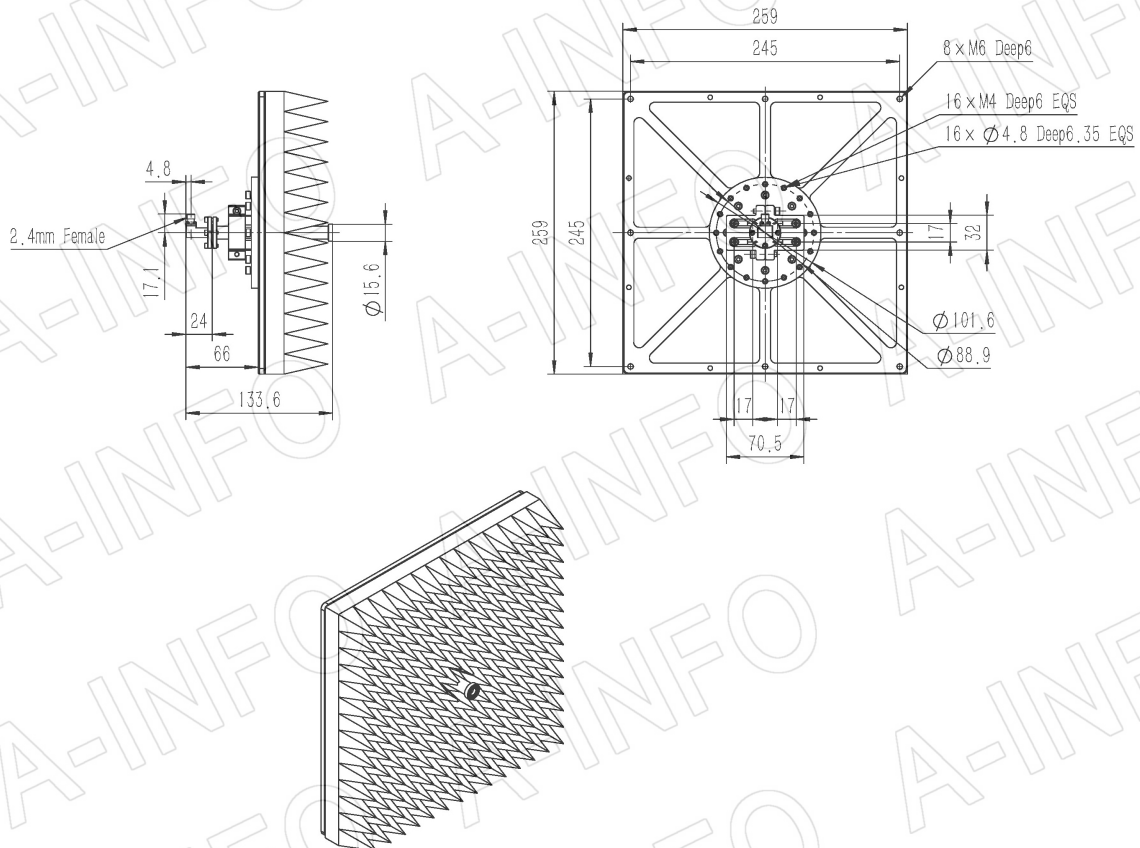
2.4mm-Female Output (P/N: LB-ACH-22-10-C-2.4F)



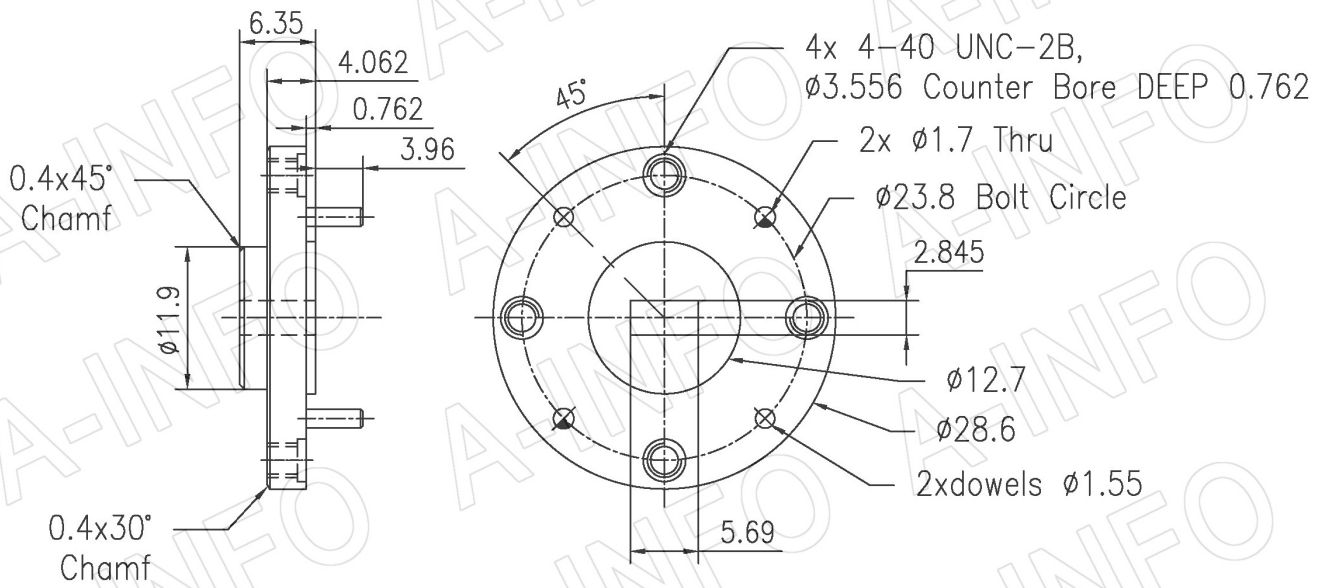
FUGP400 Output, Equipped with Absorber (Option, P/N: LB-ACH-22-10-A-A1)



2.4mm-Female Output, Equipped with Absorber (Option, P/N: LB-ACH-22-10-C-2.4F-A1)



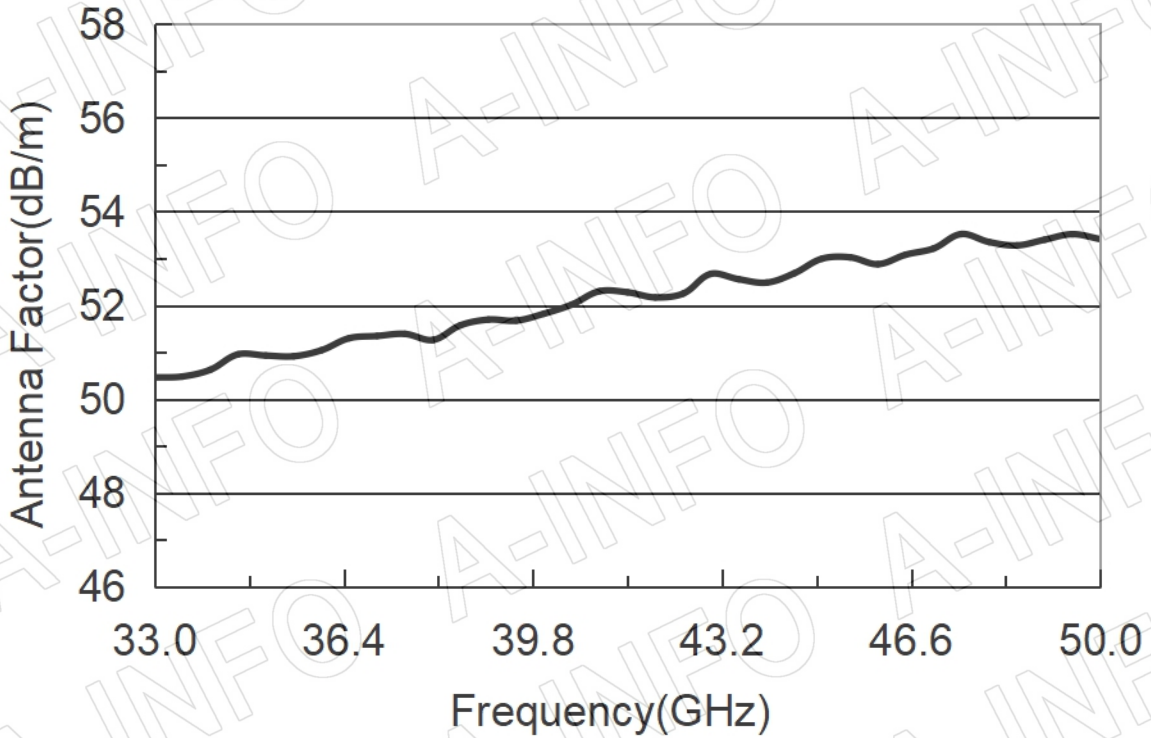
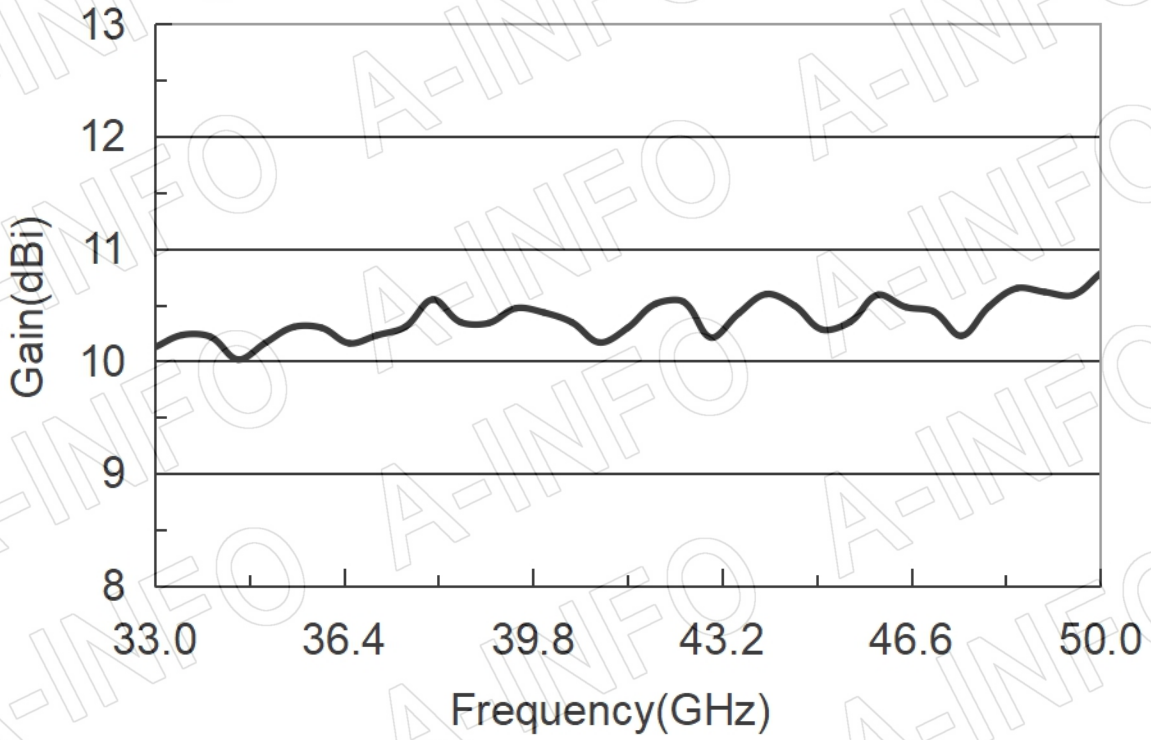
Flange Drawing (Size: mm)



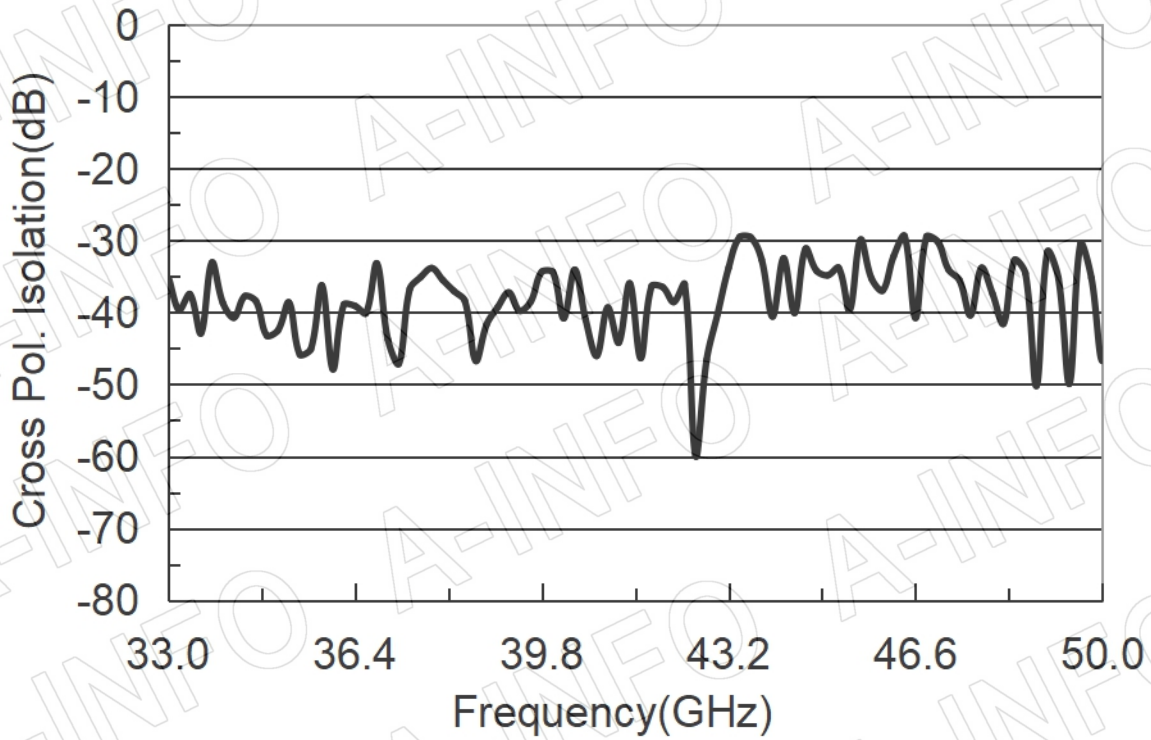
FUGP400
(equivalent to UG-383/U)

Test Results

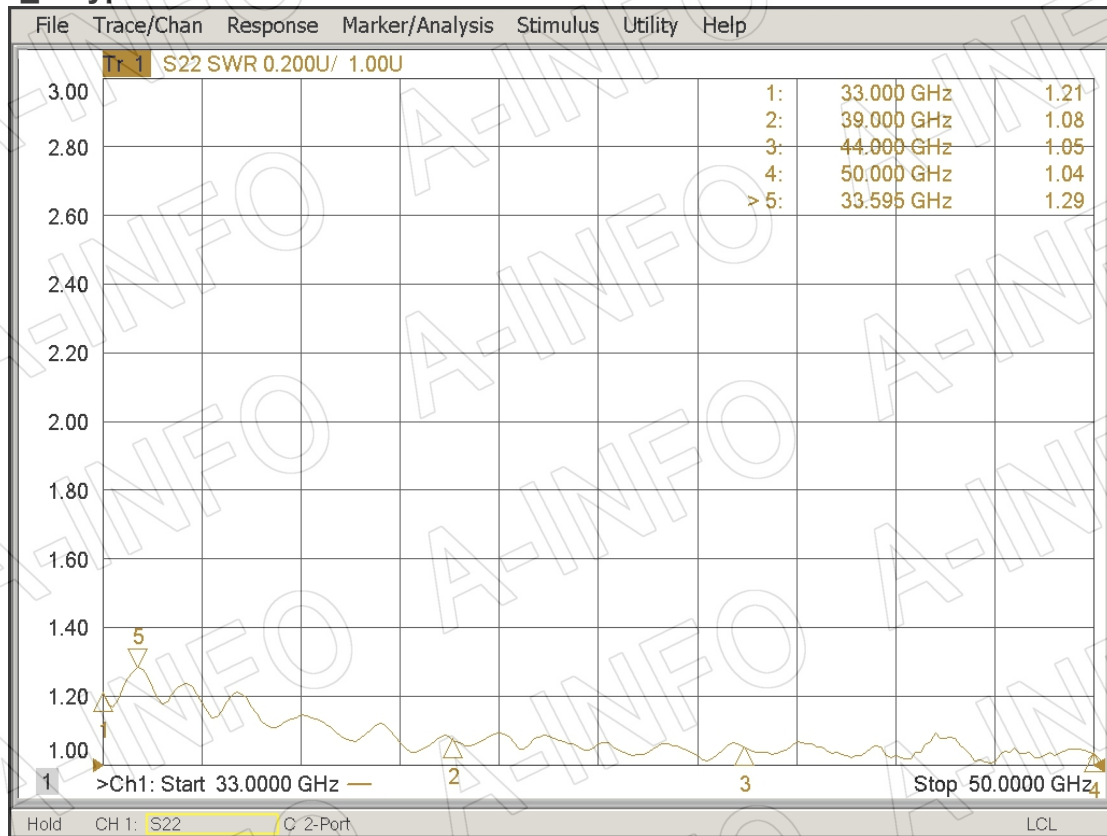
1. Gain & Antenna Factor



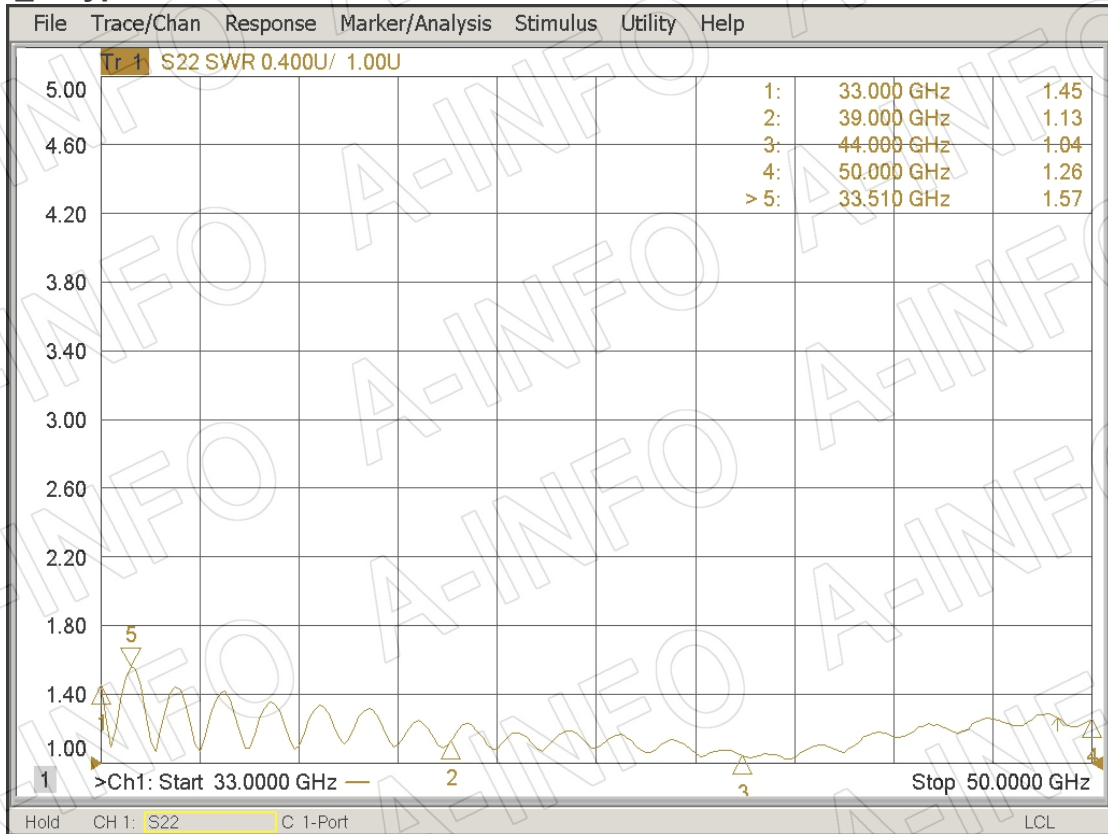
2. Cross Polarization Isolation



3. VSWR_A Type



VSWR_C Type



4. Pattern

